

MODELS

- ET-3
- ET-5
- ET-10

BASIC FEATURES

- Stainless-steel welded construction: frame, drum, accessories, etc.
- Standard drain for sanitation
- Units mounted on 4" (102 mm) wheels for ET-3, ET-5 and adjustable legs for the ET-10
- Bolted frame assembly
- Direct drive for ET-3, ET-5 and chains or gears for the ET-10
- 1/2 Hp motor for driving system for ET-3, ET-5 and 1 Hp for the ET-10
- Forward and Reverse jog for easy loading and unloading
- Quick release fitting for vacuum connection
- Water separator for pump protection
- Easy cleaning
- Photo electric safety switch in front of machine
- Crate

OPTIONAL FEATURES

- Lift kit
- Other voltages available
- Wheels for ET-10
- Heated control box for microprocessor
- CSA Certification
- Service kit for standard maintenance

All features are subject to change without notice.



MODEL ET-3

MARINATING CAPACITY		300 lbs. (136 kg)
MACHINE DIMENSIONS	Width	A 64.25" (1,632 mm)
	Height	B 41" (1,040 mm)
	Height (including lifting device)	C 52.25" (1,332 mm)
	Depth	D 40.75" (1,037 mm)
	Cylinder diameter	E 23.5" (595 mm)
	Cylinder width	F 28.75" (730 mm)
POWER SUPPLY	Std. / Option	110-120 V / 1 pH / 60 Hz
PUMP CAPACITY		20 m ³ 0.9 kW
MICROPROCESSOR		MC-40

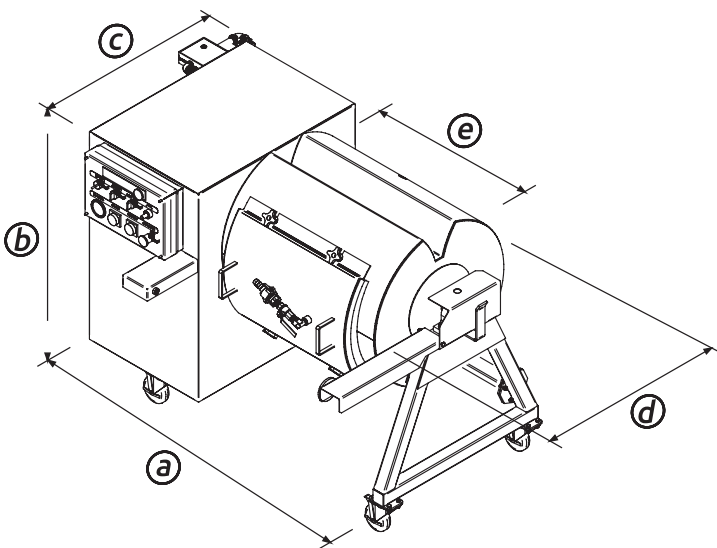
TUMBLERS

MODELS ET-5 AND ET-10

	ET-5	ET-10	
MARINATING CAPACITY	500 lbs. (227 kg)	1,000 lbs. (454 kg)	
MACHINE DIMENSIONS	Width A	83" (2,108 mm)	85.75" (2,176 mm)
	Height B	41" (1,040 mm)	57.5" (1,459 mm)
	Height (including lifting device) C	52.25" (1,332 mm)	65.5" (1,243 mm)
	Depth D	40.75" (1,037 mm)	55.5" (1,412 mm)
	Cylinder diameter E	23.5" (595 mm)	33.75" (858 mm)
	Cylinder width F	47.5" (1,210 mm)	47.5" (1,210 mm)
POWER SUPPLY	Std. / Option	110-120 V / 1 pH / 60 Hz	110-120 V / 1 pH / 60 Hz
PUMP CAPACITY		20 m ³ 0.9 kW	20 m ³ 0.9 kW
MICROPROCESSOR		MC-40	MC-40



MACHINE DIMENSIONS



CONTROL PANEL

MC-40

