



TRAY SEALERS SEMI-AUTOMATIC

MODEL

- TS-30

BASIC FEATURES

- MAP – modified atmosphere packaging or sealing only
- Fast heating of tooling with electronic control of temperature
- Automatic film sealing and cutting mechanism for trays
- Automatic trim rewinder
- Teflon coated heating plate
- Fast tooling changes (no special tool required)
- Vacuum sensor
- Stainless steel adjustable legs
- Crate
- CSA Certification



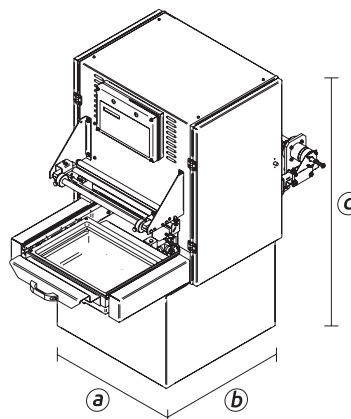
OPTIONAL FEATURES

- Dies (tooling) with cutting knives and filler chamber
 - Cooling system for shrinkable film application
 - Vacuum pump sizes
 - Oxygen vacuum pumps for MAP with more than 21% of oxygen mixture
 - Gas tank
 - Silencer
 - Other voltages available
 - Heated control box for microprocessor
 - Service kit for standard maintenance
- All features are subject to change without notice.*

MODEL TS-30

MACHINE DIMENSIONS	Length	A	33" (834 mm)
	Width	B	43" (1,105 mm)
	Height	C	63" (1,605 mm)
PRODUCTION CAPACITY		2-3 cycles / min. (MAP)	
MAX. DIMENSIONS OF TRAYS	Length	A	13.9" (353 mm)
	Width	B	11.2" (284 mm)
	Height	C	4.5" (114 mm)
POWER SUPPLY		208-220 V / 3 pH / 60 Hz	
PUMP CAPACITY (STD)		40 m ³ 2.0 HP	
MAX. FILM WIDTH		19.5" (495 mm)	
MICROPROCESSOR		Touch Screen	

MACHINE DIMENSIONS



CONTROL PANEL

