



DIP TANKS AND SHRINK TUNNELS

MODEL

- DT-10
- ST-2000
- ST-2500

BASIC FEATURES

Model DT-10

- NEMA IVX control box with digital temperature control
- Adjustable water temperature
- Adjustable speed
- Insulated to conserve energy
- Wheels
- Crate
- CSA Certification

Models ST-2000 and ST-2500

- NEMA IVX control box with digital temperature control
- Adjustable water temperature
- Hot water shower for uniform package
- Stainless steel adjustable speed conveyor
- Insulated to conserve energy
- Removable hood and panels for easy cleaning
- Stainless steel adjustable legs
- Conveyor feed only for non-shrinkable products in production line
- Crate
- Certification CSA

OPTIONAL FEATURES

Model DT-10

- Other voltages available

Models ST-2000 and ST-2500

- Direct Steam heating (boiler not include)
- Electrical heating
- Other voltages available

All features are subject to change without notice.



MODEL DT-10

MACHINE DIMENSIONS	Length	A	33.3" (847 mm)
	Width	B	34.2" (869 mm)
	Height	C	56.5" (1,433 mm)
MAX. DIMENSIONS OF PRODUCT	Length x Depth	A	23.75" x 17.9" (603 mm x 456 mm)
	Height	C	12" (305 mm)
	WATER CAPACITY		45 gal. (170 L)
MAXIMUM WEIGHT CAPACITY		55 lbs / 25 Kg	
POWER SUPPLY		208-220 V / 3 pH / 60 Hz	
ADJUSTABLE WATER HEATING CAPACITY		To a maximum of 99 °C (210 °F)	
ELECTRIC WATER HEATING SYSTEM		9 kW / 31000 BTU/h	
MICROPROCESSOR		Touch Screen	

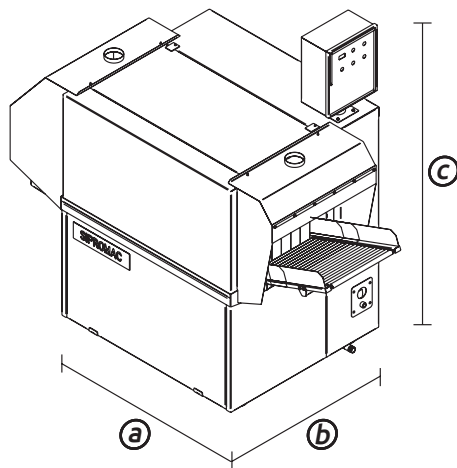
DIP TANKS AND SHRINK TUNNELS



TUNNELS ST-2000 AND ST-2500

		ST-2000	ST-2500
MACHINE DIMENSIONS	Length	A 76" (1,930 mm)	76" (1,930 mm)
	Width	B 42" (1,067 mm)	55" (1,397 mm)
	Height	C 58" (1,473 mm)	58" (1,473 mm)
MAX. DIMENSION OF PRODUCT	Length x Depth	A 20" (508 mm)	33" (838 mm)
	Height	C 10" (254 mm)	12" (305 mm)
	WATER CAPACITY	63 gal. (240 L)	70 gal. (280 L)
POWER SUPPLY	208-220 V / 3 pH / 60 Hz	208-220 V / 3 pH / 60 Hz	
ADJUSTABLE WATER HEATING CAPACITY	To a maximum of 99 °C (210 °F)	To a maximum of 99 °C (210 °F)	
ELECTRIC WATER HEATING SYSTEM	60 kW / 205 kBtu/h	90 kW / 307 kBtu/h	
MICROPROCESSOR	Touch Screen	Touch Screen	

MACHINE DIMENSIONS



CONTROL PANEL

MC-40

