

THE NEW
★
TM-050

QUALITY WITHOUT COMPROMISE

FOOD
PACKAGING



WHY SHOULD YOU USE A TM-050?

1. High production output (7-10 cycles per minutes)
2. High pack quality
3. All stainless steel construction
4. Friendly user interface
5. Ease of maintenance
6. Hygienic design to ease cleaning, resulting in cost saving
7. Custom pocket configuration
8. Plug and play machine
9. Off the shelves parts for quick replacement part shipping



GENERAL SPECIFICATIONS

OUTPUT	7 – 10 cycles / minutes	
POWER SUPPLY	208V – 3ph – 60Hz	
	400V – 3ph – 50Hz	
COMPRESSED AIR SUPPLY	23 scfm @ 80 psi	39m ³ /h @ 5.5 bar
COOLING WATER SUPPLY	Max 30 gph @ 14 psi	Max 113 liter/h @ 1 bar
PACKAGING SHAPE	Rectangular	
FORMING FILM TYPE	Flexible	Rigid up to 0.4 mm
FORMING FILM WIDTH	320 mm and 420 mm (12.6" and 16.5")	
FORMING DEPTH	16 mm to 80 mm (5/8" to 3-1/8")	
CUT OFF LENGTH	200 mm, 250 mm and 300 mm (7-7/8", 9-27/32" and 11-13/16")	
DIE CHANGING METHOD	Manual	
FORMING SYSTEM	Vacuum	
LOADING AREA	2x cut off (1 full and 2 halves)	

AVAILABLES SIZES

WEB	CUT OFF
320 mm	200 mm
420 mm	250 mm
---	300 mm

THE SAME FRAME LENGTH CAN ACCOMMODATE THE THREE DIFFERENT CUT OFF LENGTH.

PACKAGE SIZES

WEB	CUT OFF	LENGTH*	WIDTH*
320 mm	200 mm	200 mm	290 mm
320 mm	250 mm	250 mm	290 mm
320 mm	300 mm	300 mm	290 mm
420 mm	200 mm	200 mm	390 mm
420 mm	250 mm	250 mm	390 mm
420 mm	300 mm	300 mm	390 mm

*Based on a 1 track, 1 row configuration

POCKET FORMING SIZES

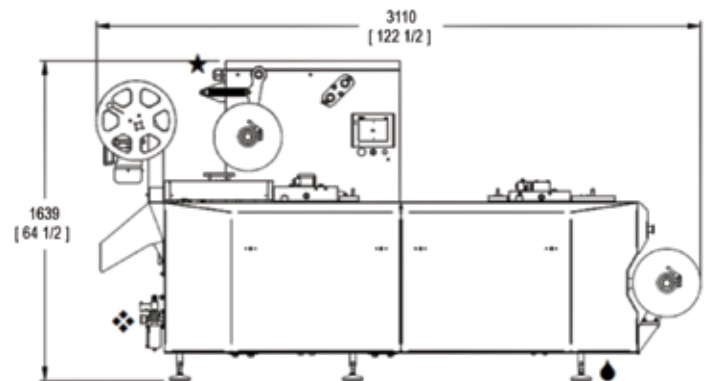
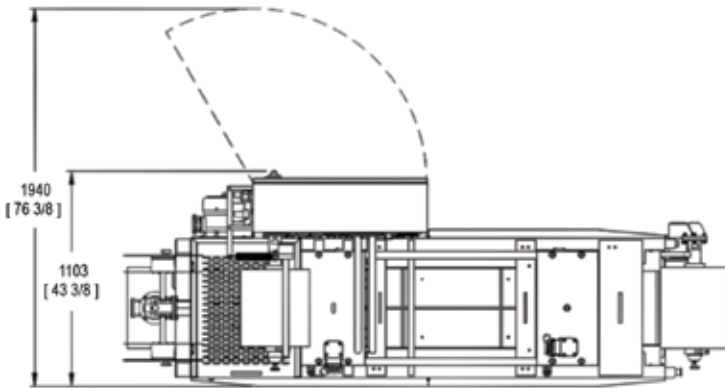
WEB	CUT OFF	LENGTH*	WIDTH*
320 mm	200 mm	185 mm	275 mm
320 mm	250 mm	235 mm	275 mm
320 mm	300 mm	285 mm	275 mm
420 mm	200 mm	185 mm	375 mm
420 mm	250 mm	235 mm	375 mm
420 mm	300 mm	285 mm	375 mm

*Based on a 1 track, 1 row configuration

THERE IS 48 STANDARD TOOLING CONFIGURATION AVAILABLE. POCKET FORMING SIZE AND SHAPE CAN BE CUSTOMIZE AS PER CUSTOMER NEEDS. CALL US FOR MORE DETAILS.



MACHINE DIMENSIONS



* Reduce machine width by 100 mm for the 320 model. Length remain the same for every cut off.

FILM FEATURES

SEALING FEATURES :

Sipromac offers various type of sealing for you packaging need. Our sealing plate are exchangeable in the machine, so you can switch from an area sealing to a perimetric sealing at a low cost.

- Perimetric sealing offers the possibility to seal only on the perimetric edge of the package.
- Total seal gives a package that look like skin packaging.
- Area seal (flat seal). Offered as standard in our machine.

UPPER WEB TYPE :

- Flexible film
- Scatter printed film
- Registered film (option)
- 76 mm core (3")
- Maximum outside diameter of 350 mm (13.75")
- Maximum 40 kg

LOWER WEB TYPE :

- Flexible film
- Rigid film up to 0.4 mm
- Scatter printed film
- 76 mm core (3")
- Maximum outside diameter of 350 mm (13.75")
- Maximum 40 kg

BASIC FEATURES

- Welded, stainless steel frame
- Stainless steel loading area
- 5/8" conveyor chain
- Schneider PIC control unit
- Touch control panel, with user-friendly interface
- Schneider servo motor drive for accurate speed control
- Electric cabinet (IP65)
- Pneumatic component cabinet
- Protection guard with electronic interlock system
- 2 independent tool lifting stations
- Trim re-winder
- Water cooled tooling
- 3 operation mode
- Automatic chain lubrication
- Cross cut guillotine (1)
- Easy changeover of sealing plate
- 100m³ / 5.0 Hp Busch pump
- Exit chute
- Rotating knives (1 set)
- Active film unwinding system with dancer roll
- User manual and set of spare parts
- Stainless steel adjustable legs
- Certification SA

OPTIONAL FEATURES

- Unloading conveyor system
- Printing system
- Photo cell for pre-printed film
- Quick compressed air forming capacity
- Remote diagnostic
- Dedicated top and bottom vacuum valves
- Gas injection system (MAP)
- Multiple supply voltage available
- Vacuum pump sizes
- Oxygen vacuum pumps for MAP with 21% of more oxygen mixed
- Booster pump

All features are subject to change without notice.

THE NEW TM-050

QUALITY WITHOUT COMPROMISE



Sipromac is now pleased to offer an entry level thermoforming machine with almost the same advantages of its bigger brother. This new model have been designed with the ease of use in mind and a low cost of operation and maintenance. With the Sipromac TM-050, your package would have never looked so good.

Visit our website:
WWW.SIPROMAC.COM

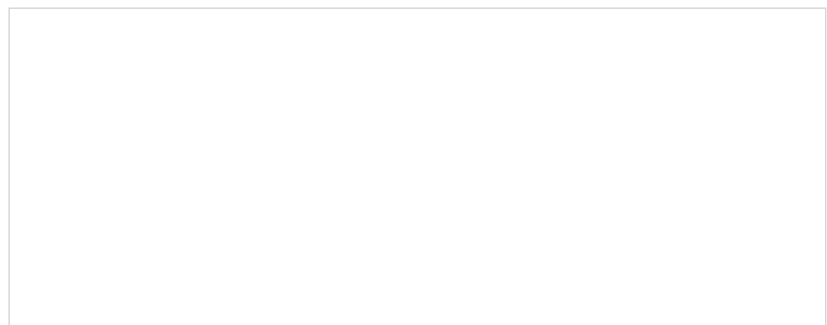


Because we are continually improving our products, Sipromac reserves the right to change product specifications without prior notice.

Print in Canada



Your authorized retailer:



240, boulevard Industriel, Saint-Germain-de-Grantham (QC) Canada J0C 1K0
T 819.395.5151 / 1.855.395.5252 F 819.395.5343 sipromac@sipromac.com