

BAGEL KIT

KETTLE : BK25 N-P | BK45 N-P HOOD : BK25 | BK45 TROUGH : BT56 | BT74 | BT92

WHY SHOULD YOU USE THE BAGEL KIT ?

HEAVY DUTY DESIGN

Bagel Kettle is constructed of stainless steel.

HIGH PRODUCTION CAPACITY

There are two models available (45 or 25 Gallon Capacity) which can produce thousands of bagels per hour.

EASY INSTALLATION

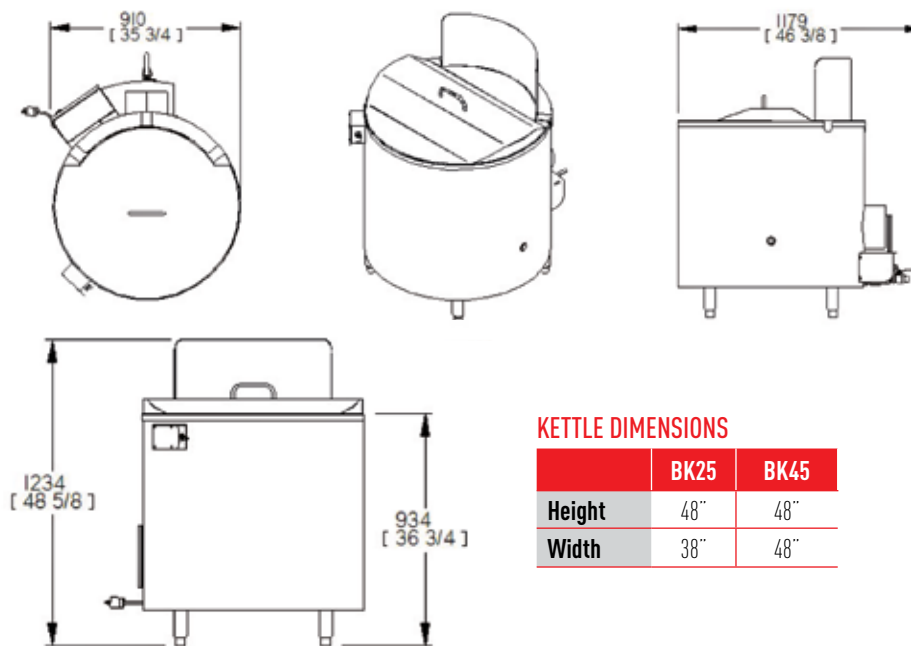
Bagel Kettle ships fully assembled which allows for a quick installation and you can be making bagels in no time.

EASE OF USE

The Bagel Kettle's design allows for easy use and cleaning the kettle is very simple.



MACHINE DIMENSIONS



KETTLE DIMENSIONS

	BK25	BK45
Height	48"	48"
Width	38"	48"

BAGEL KIT

KETTLE : BK25 N-P | BK45 N-P HOOD : BK25 | BK45 TROUGH : BT56 | BT74 | BT92

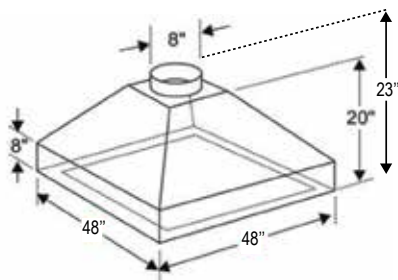
KETTLE GENERAL INFORMATION

Model	Capacity	TANK DIMENSIONS			Weight	GAS		Flue outlet	Hood dimensions (C)
		Exterior diameter (A)	Interior diameter (B)	Interior depth		Connection	BTU / HR		
	Gallon	Inches	Inches	Inches	Lbs	Inches		Inches	Inches
BK25	25	32.5"	22"	16"	350	3/4"	62,000	8"	36" x 36"
BK45	45	35.75"	30"	16"	450	3/4"	112,000	8"	48" x 48"

KETTLE GAS CAPACITY AND PRESSURE

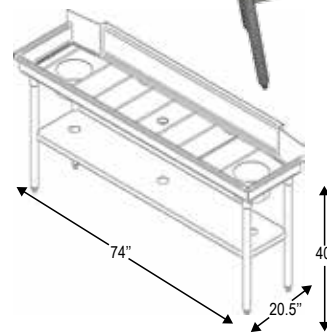
Model	Orifice	Gas type	Capacity BTU	Line pressure	Manifold pressure
BK-25N	#65	Natural	62 000	4" - 6" water column	Low - 1.0" W.C / Hi - 3.5" W.C
BK-25P		Propane		12" - 14" water column	Low - W.C / Hi - W.C
BK-45N	#65	Natural	112 000	4" - 6" water column	Low - 1.0" W.C / Hi - W.C
BK-45P		Propane		12" - 14" water column	Low - W.C / Hi - W.C

* Continuous product development is a policy at Picard. Therefore, we reserve the right to modify these features and / or the design without prior notification.



HOOD DIMENSIONS

	BK25	BK45
Height	23"	36"
Width	36"	48"
Length	36"	48"



TROUGH DIMENSIONS

	BT56	BT74	BT92
Height	40"	40"	40"
Width	57"	74"	92"
Length	20.5"	20.5"	20.5"

BASIC FEATURES

KETTLE :

- 2 models (45 gallon or 25 gallon)
- Stainless steel Kettle
- Heavy duty burner with control valve
- Removable perforated tray for cleaning
- Splash guard
- 2" Drain line
- 8" Flue outlet
- (4) 6" Legs (adjustable)

HOOD :

- Type II hood
- 100 % stainless steel

TROUGH :

- 3 Drains
- Seed keeper to not plug drain
- Lower storage shelf